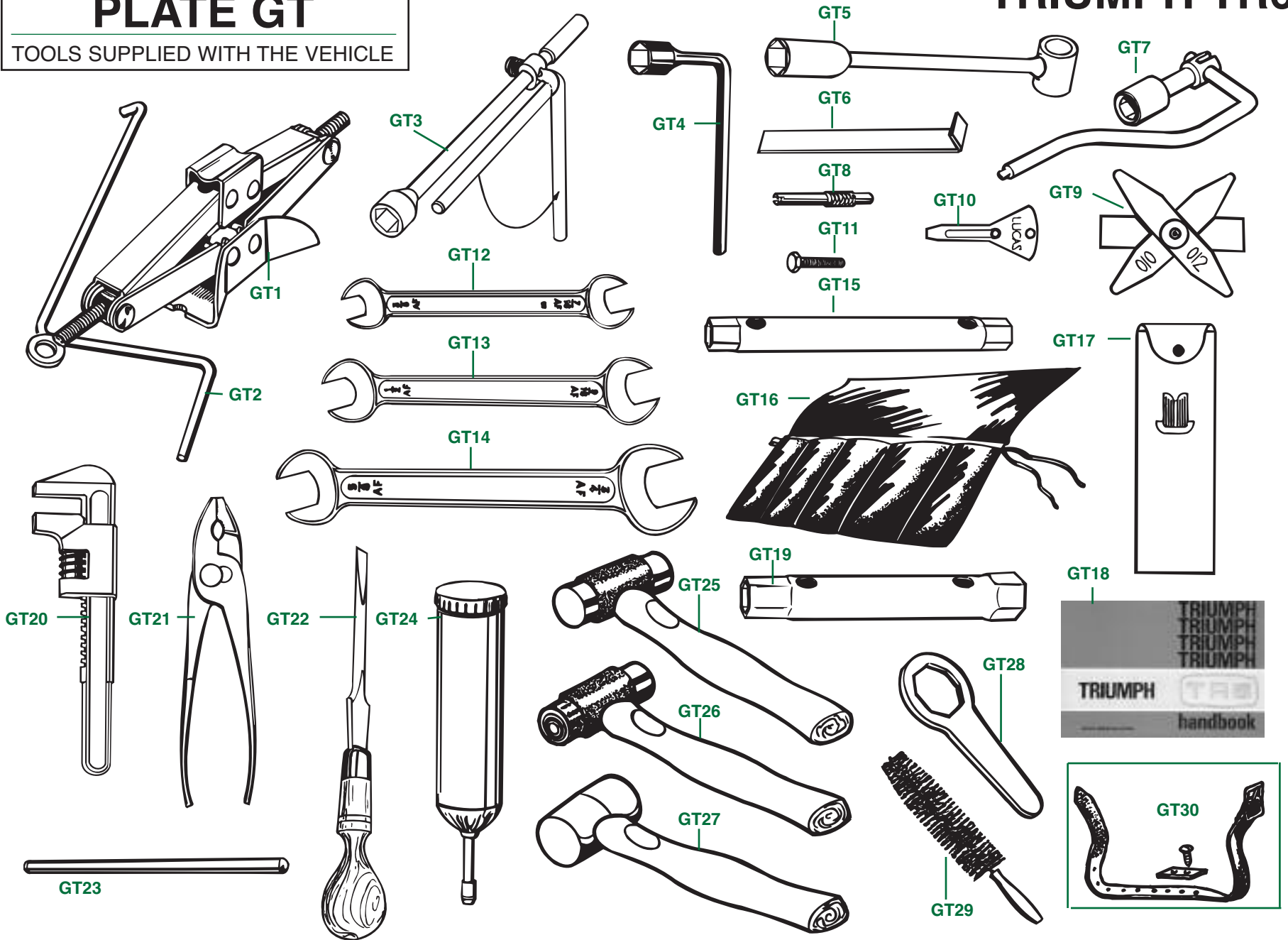


PLATE GT

TOOLS SUPPLIED WITH THE VEHICLE

TRIUMPH TR6



TOOLS SUPPLIED WITH THE VEHICLE

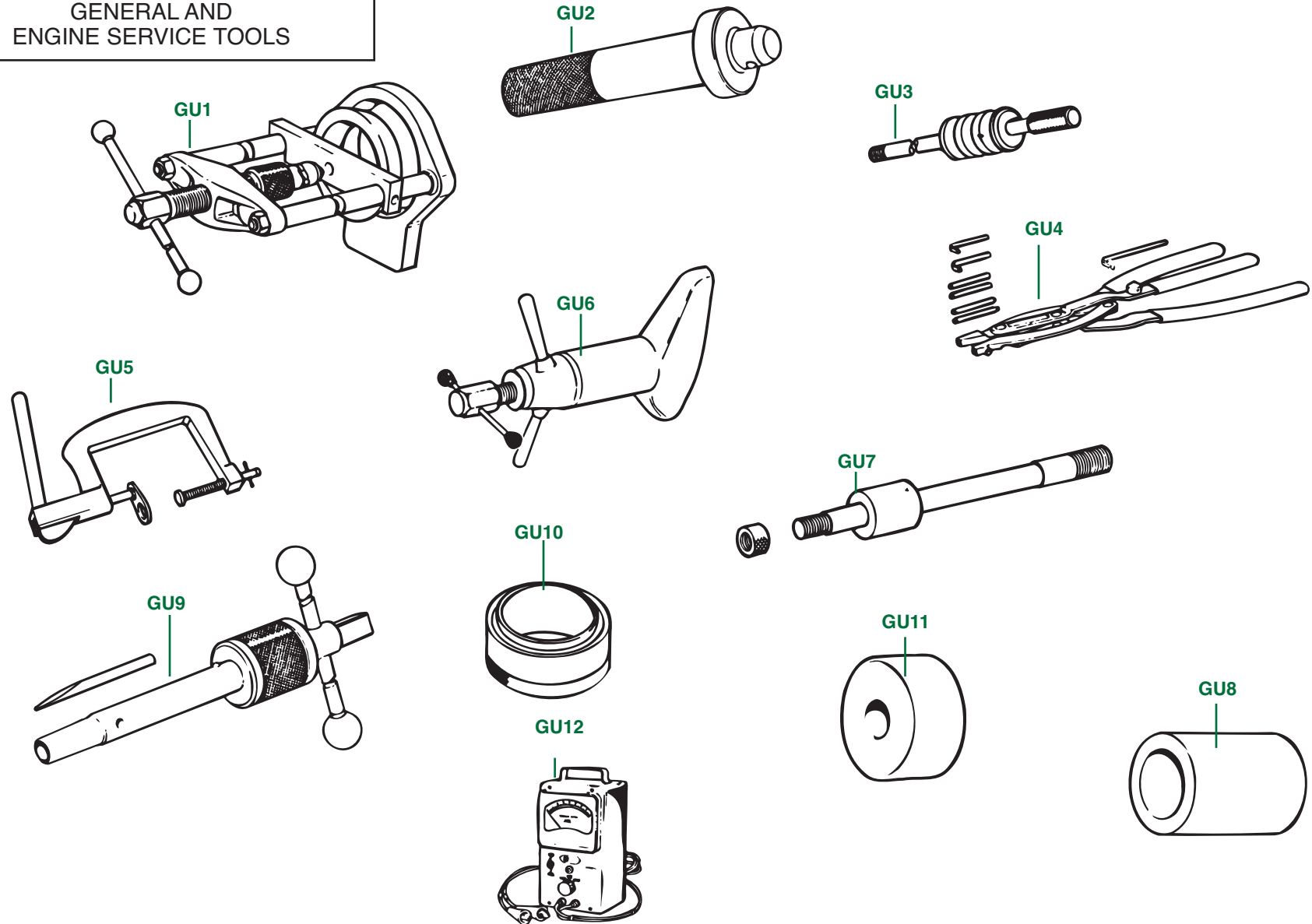
Plate No.	Part No.	Description	No. Off
		Please Note: In actual fact, the contents of tool kits supplied with the vehicle varied from year to year. Using listings from the sections below, however, you can create an authentic tool kit of greater or lesser complexity for any TR6.	
		TOOLS LISTED IN FACTORY SPARE PARTS CATALOGUES	
GT1	212677	Jack Assembly , scissors type	1
GT2	UKC4389	Handle , jack	1
GT3	59428	Spanner , wheel nut, earlier models	1
GT4	138514	Spanner , wheel nut, later models	1
GT5	132368	Spanner , spark plugs	1
GT6	118971	Tool , headlamp rim removal	1
GT7	152166	Combination Tool ; also for wheel trim removal	1
GT8	52203	Tool , tire valve core removal	1
GT9	125505	Feeler Gauge	1
GT10	500905	Distributor Tool and Screwdriver , Lucas; also great for your key fob	1
GT11	UH508	Screw , set, no. 10 N.F., for removing front hub grease caps	1
GT12	109316	Spanner , open-ended, 3/8-inch x 7/16-inch	1
GT13	109318	Spanner , open-ended, 1/2-inch x 9/16-inch	1
GT14	109317	Spanner , open-ended, 5/8-inch x 3/4-inch	1
GT15	109319	Spanner , tube, .50-inch x .56-inch	1
GT16	24731	Tool Roll ; may have been used for earlier models	1
GT17	146366	Tool Pouch ; used for later models	1
		OWNER'S HANDBOOKS	
GT18	545074	Owner's Handbook , blue, U.S.A. models, up to comm. no. CF1	1
	545111/73	Owner's Handbook , purple, U.S.A. models, 1973 model year	1
	545111/74	Owner's Handbook , purple, U.S.A. models, 1974 model year	1
	545111/75	Owner's Handbook , purple, U.S.A. models, 1975 model year	1
	545111/76	Owner's Handbook , purple, U.S.A. models, 1976 model year	1
	545078	Owner's Handbook , P.I. models	1

Plate No.	Part No.	Description	No. Off
		ADDITIONAL AND ALTERNATIVE TOOLS	
GT19	109320	Spanner , tube, spark plugs	1
GT20	113228	Spanner , adjustable	1
GT21	109322	Grips , slip joint; pliers	1
GT22	108674	Screwdriver ; wooden handle	1
GT23	132742	Tommy Bar	1
GT24	119218	Grease Gun	1
		TOOLS FOR WIRE WHEELS	
GT25	108450	Hammer , knock-off, copper/copper faces	1
GT26	C27290	Hammer , knock-off, copper/hide faces	1
GT27	RFT107	Hammer , knock-off, lead head (Very easy on your chromed nuts.)	1
GT28	AHH5839	Spanner (Wrench) , for use in knocking-off octagonal type wheel nuts	1
GT29	WWSB183	Cleaning Brush , for wire wheels	1
GT30	RFK645	Tool Stowage Belt Kit , with attaching hardware, fitted to spare wheel pin	1

PLATE GU

SPECIAL SERVICE TOOLS, SECTION 1
GENERAL AND
ENGINE SERVICE TOOLS

TRIUMPH TR6

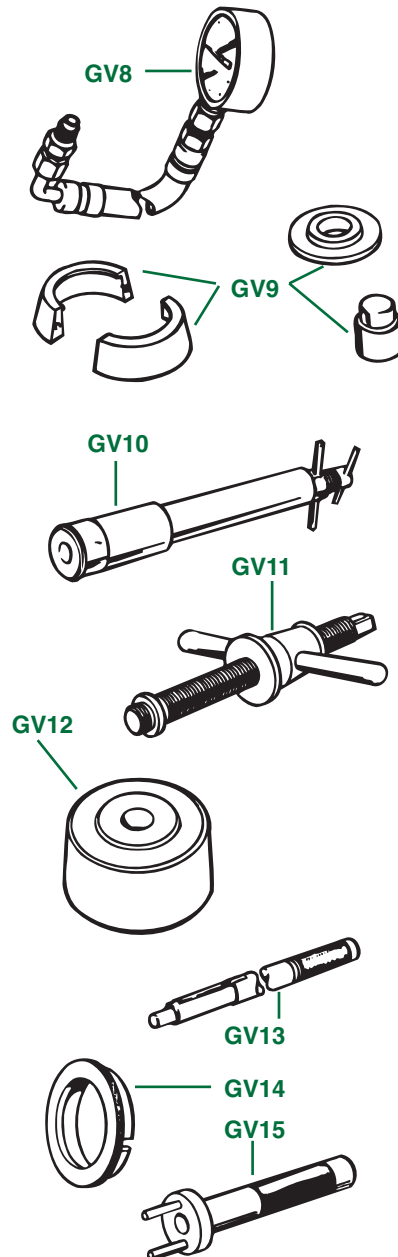
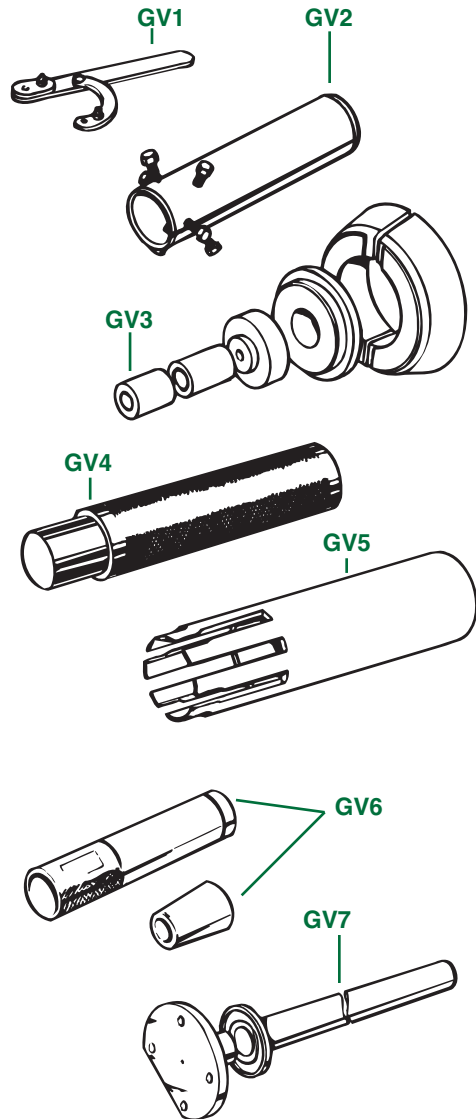


SPECIAL SERVICE TOOLS, SECTION 1—GENERAL AND ENGINE SERVICE TOOLS

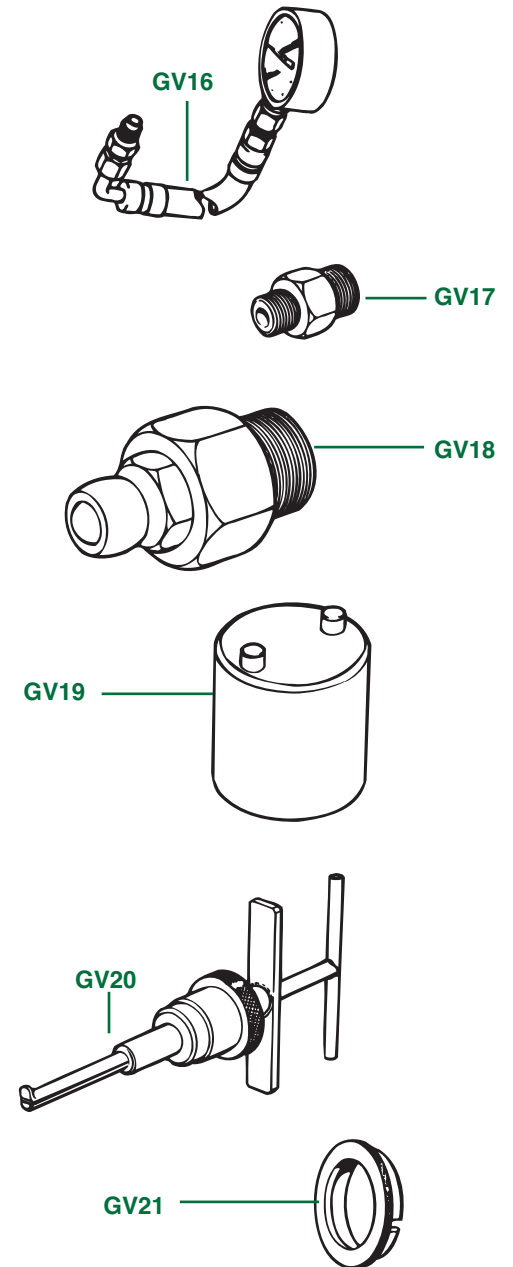
Plate No.	Part No.	Description	No. Off		Plate No.	Part No.	Description	No. Off
		<p>Note: Special service tools for Triumph cars were manufactured and distributed by the Messrs. V.L. Churchill and Company now located in Daventry, Northants. Although most of these tools are now unavailable, we are listing them here with illustrations for your information. We have also produced special runs of a few of these tools, and we will produce more if demand exists.</p> <p>CHURCHILL TOOLS OF GENERAL APPLICATION</p>						
GU1	CL47	Multi-Purpose Hand Press , basic tool	1					
GU2	CL550	Handle , driver, basic tool	1					
GU3	CL4235A	Hammer , slide, basic tool	1					
GU4	CL7066	Pliers , circlip	1					
		CHURCHILL ENGINE SERVICE TOOLS						
GU5	CL18G106	Compressor , valve spring	1					
GU6	CL60A	Remover/Replacer , valve guide	1					
GU7	CLS60A-2A	Adaptor Set , valve guide remover/replacer	1					
GU8	CLS60A-7	Adaptor , valve guide replacer	1					
GU9	CL316X	Handle , valve seat cutter	1					
GU10	CL335	Jig , aligning, connecting rod	1					
GU11	CL336-4	Arbor Adaptor , connecting rod	1					
GU12	CL642	Tachometer , electronic	1					

PLATE GV

SPECIAL SERVICE TOOLS, SECTION II
GEARBOX AND OVERDRIVE



TRIUMPH TR6



SPECIAL SERVICE TOOLS, SECTION II—GEARBOX AND OVERDRIVE

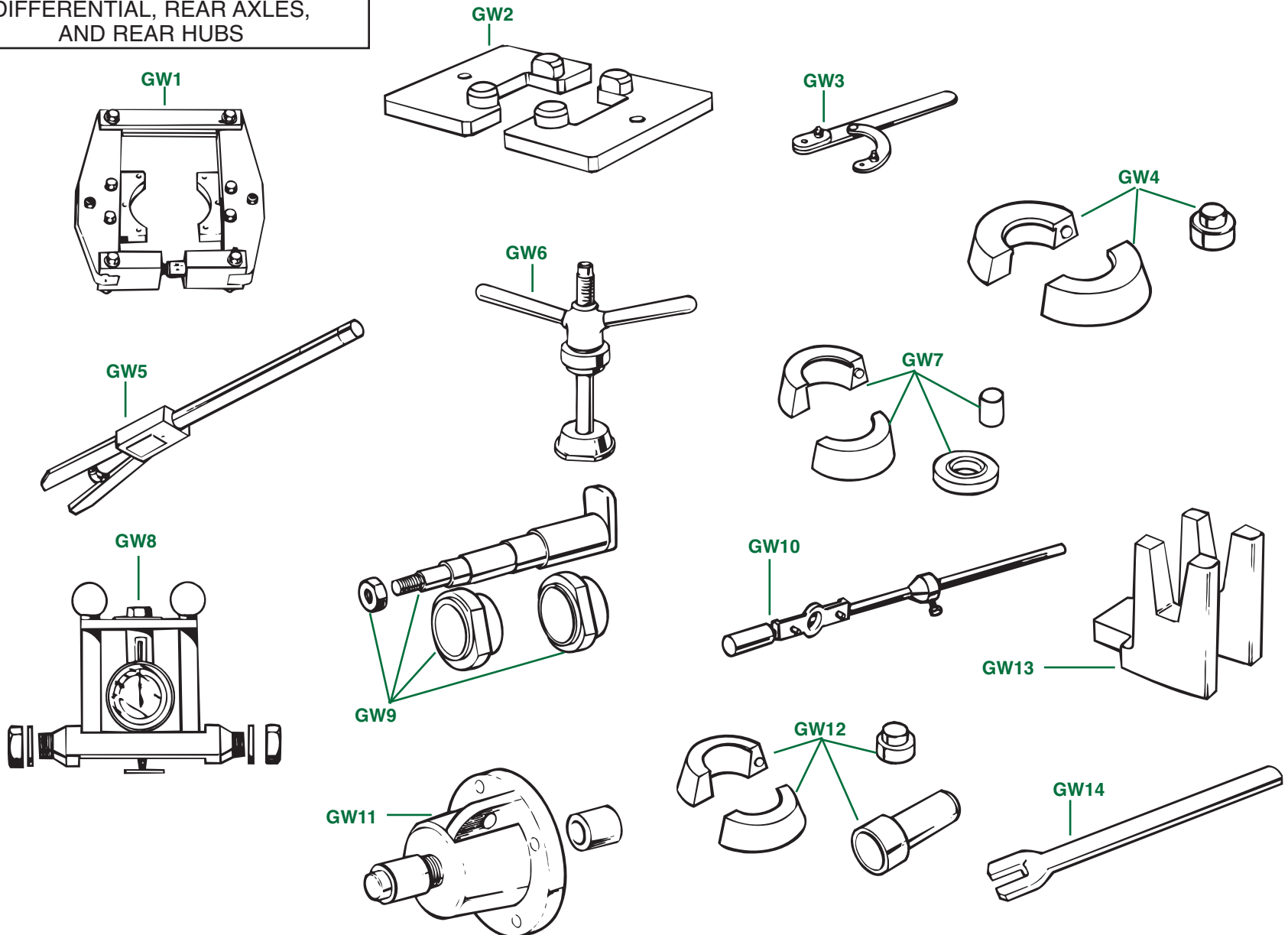
Plate No.	Part No.	Description	No. Off
		Note: Special Service tools for Triumph cars were manufactured and distributed by the Messrs. V.L. Churchill and Company now located in Daventry, Northants. Although most of these tools are now unavailable, we are listing them here with illustrations for your information. We have also produced special runs of a few of these tools, and we will produce more if demand exists.	
		CHURCHILL GEARBOX SERVICE TOOLS	
GV1	CLRG421	Wrench , for holding rear drive flange	1
	CLS316	Wrench , for holding rear drive flange (Alternative to CLRG421.)	1
GV2	CLS4235A-2	Adaptor , input shaft remover (Used with CL4235A, Slide Hammer.)	1
GV3	CLS4221A-15A	Adaptor Set , input shaft bearing remover/replacer, mainshaft center bearing remover (Used with CL47, Multi-Purpose Hand Press.)	1
GV4	RFT118	Driver , for installation of closed-cage countershaft needle bearings	1
GV5	CLS69B	Remover , mainshaft circlip	1
GV6	CLS167A	Replacer , mainshaft circlip	1
GV7	CLS314	Bearing Driver/Abutment Plate Set , replacing main shaft rear bearing	1
		CHURCHILL A-TYPE OVERDRIVE SERVICE TOOLS	
GV8	CLL188A	PRESSURE TEST EQUIPMENT , including gauge, hose, and adaptor	1
	CLL188-4	Hose , pressure test	1
GV9	CLL187	Adaptor Set , tailshaft bearing remover/replacer (Used with CL47, Multi-Purpose Hand Press.)	1
GV10	CLL182	Remover , accumulator piston housing	1
GV11	CLL183A	Remover , pump barrel	1
GV12	CLL183-1	Adaptor (Used with CLL183A, Pump Barrel Remover.)	1
GV13	CLL185A	Dummy Drive Shaft	1
GV14	CLL178	Jig , freewheel assembly	1
GV15	CLL184	Replacer , oil pump body	1
		CHURCHILL J-TYPE OVERDRIVE SERVICE TOOLS	
GV16	CLL188A	PRESSURE TEST EQUIPMENT , including gauge, hose, and adaptor	1
	CLL188-4	Hose , pressure test	1
GV17	CLL188A-2	Adaptor , pressure take-off	1
GV18	CLL402	Adaptor , pressure, spline release	1
GV19	CLL354A	Adaptor , spanner, oil pump plug	1
GV20	CLL401A	Remover/Replacer Tool , relieve valve body and dashpot sleeve	1
GV21	CLL178A	Jig , freewheel assembly	1

Plate No.	Part No.	Description	No. Off
-----------	----------	-------------	---------

PLATE GW

SPECIAL SERVICE TOOLS, SECTION III
DIFFERENTIAL, REAR AXLES,
AND REAR HUBS

TRIUMPH TR6



SPECIAL SERVICE TOOLS, SECTION III—DIFFERENTIAL, REAR AXLES, AND REAR HUBS

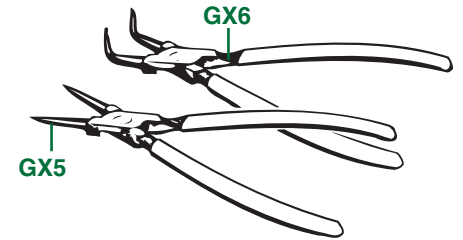
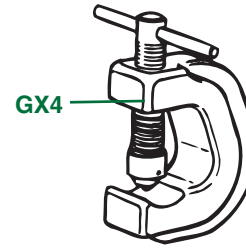
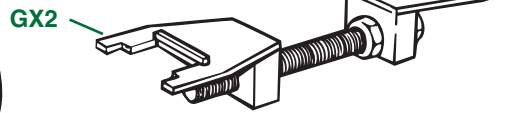
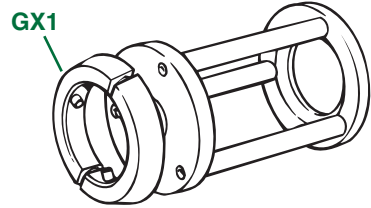
Plate No.	Part No.	Description	No. Off
		Note: Special service tools for Triumph cars were manufactured and distributed by Messrs. V.L. Churchill and Company, now located in Daventry, Northants. Although most of these tools are now unavailable, we are listing them here with illustrations for your information. We have also produced special runs of a few of these tools, and we will produce more if demand exists.	
		CHURCHILL DIFFERENTIAL SERVICE TOOLS	
GW1	CLS101	Spreader , differential case	1
GW2	CLS101-1	Adaptor , differential case spreader	1
GW3	CLRG421	Wrench , for holding pinion flange	1
	CLS316	Wrench , for holding pinion flange (Alternative to CLRG421.)	1
GW4	CLS4221A-10	Adaptor Set , differential carrier side bearing remover (Used with CL47, Multi-Purpose Hand Press.)	1
GW5	CLS123A	Remover , pinion bearing races	1
GW6	CLM70	Replacer , pinion bearing races	1
GW7	CLS4221A-11	Adaptor Set , remover/replacer, pinion head bearing cone (Used with CL47, Multi-Purpose Hand Press.)	1
GW8	CLM84B	Gauge , pinion setting (Used with CLM84B-1, Dummy Pinion and Bearing Set.)	1
GW9	CLM84B-1	Dummy Pinion and Bearing Set (Used with CLM84B.)	1
GW10	CLS98A	Gauge , setting, pinion pre-load	1
		CHURCHILL SERVICE TOOLS FOR REAR AXLES AND REAR HUBS	
GW11	CLMS65	REMOVER , rear hub, hydraulic	1
	CLTS1200-24	Repair Kit , hydraulic seals	1
GW12	CLS4221A-16	Adaptor Set , remover/replacer, outer hub bearing from/to outer axle flange (Used with CL47, Multi-Purpose Hand Press.)	1
GW13	CLS318	Jig , rear hub assembly	1
GW14	CLS317	Wrench , adjusting, rear hub bearings	1

Plate No.	Part No.	Description	No. Off
-----------	----------	-------------	---------

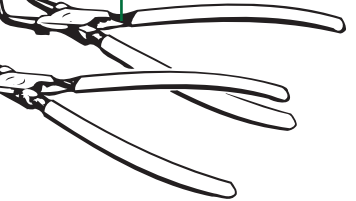
PLATE GX

SPECIAL SERVICE TOOLS, SECTION IV
STEERING, SUSPENSION, AND
MISCELLANEOUS AND
ALTERNATIVE TOOLS

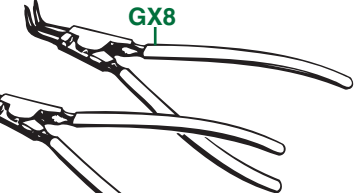
TRIUMPH TR6



GX6

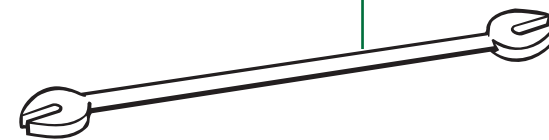
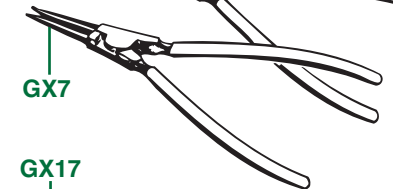
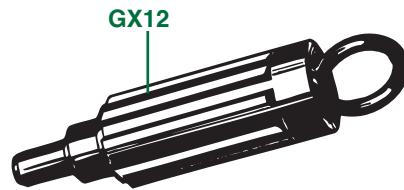


GX8

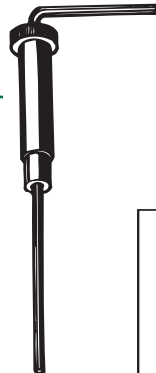


GX7

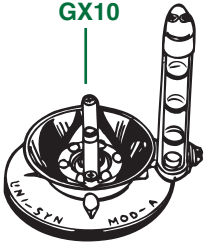
GX17



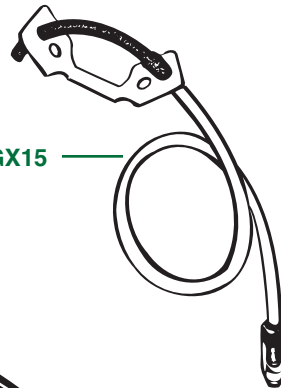
GX9



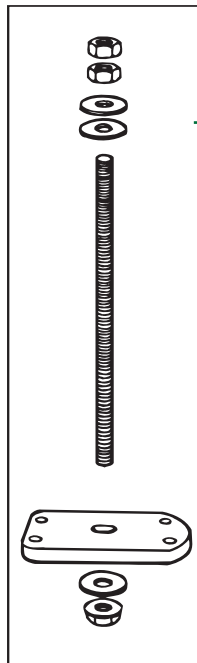
GX10



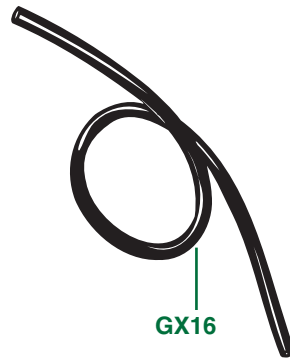
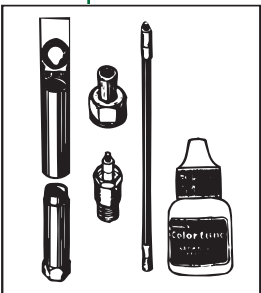
GX15



GX14

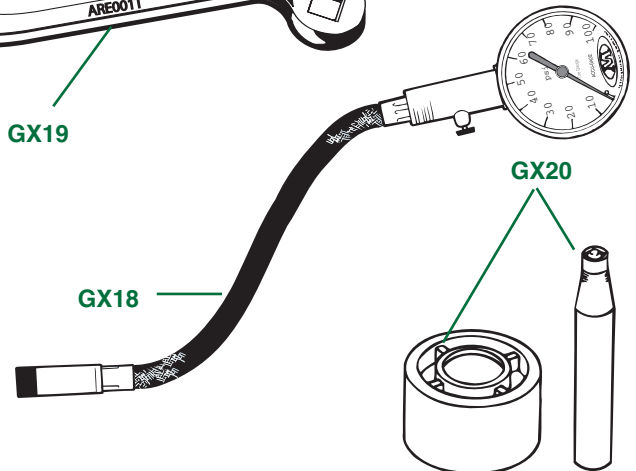


GX11



GX19

GX18



GX20

SPECIAL SERVICE TOOLS, SECTION IV—STEERING, SUSPENSION, AND MISCELLANEOUS AND ALTERNATIVE TOOLS

Plate No.	Part No.	Description	No. Off
		<p>Note: Special service tools for Triumph cars were manufactured and distributed by the Messrs. V.L. Churchill and Company, now located in Daventry, Northants. Although most of these tools are now unavailable, we are listing them here with illustrations for your information. We have produced special runs of a few of these tools, and we will produce more if demand exists.</p>	
		<p>CHURCHILL SUSPENSION AND STEERING SERVICE TOOLS</p>	
GX1	CLS4221A-5	Adaptor Set , front spring compressor (Used with CL47, Multi-Purpose Hand Press.)	1
GX2	CLS341	Compressor , for fitting steering rack mountings	1
		<p>MISCELLANEOUS CHURCHILL SERVICE TOOLS</p>	
GX3	CLS306	Wrench , brake adjusting	1
GX4	CLMS51	Clamp , trim fastener	1

Plate No.	Part No.	Description	No. Off
		<p>ADDITIONAL AND ALTERNATIVE SERVICE TOOLS</p>	
		<p>SNAP RING PLIERS (Genuine drop forged pliers to last a long time.)</p>	1
GX5	GAT445	Pliers , snap ring, for external lock rings, straight jaws	1
GX6	GAT446	Pliers , snap ring, for external lock rings, offset jaws	1
GX7	GAT447	Pliers , snap ring, for internal lock rings, straight jaws	1
GX8	GAT448	Pliers , snap ring, for internal lock rings, offset jaws	1
		<p>CARBURETOR TUNING AIDS</p>	
GX9	CAT1	Tool , jet adjusting	1
GX10	CAT2	Meter , air flow, Unisyn, for synchronizing multiple carburetors	1
GX11	GUCT500	Colortune Kit (Allows mixture setting by watching colour of combustion inside engine.)	1
		<p>CLUTCH ALIGNMENT TOOLS</p>	
GX12	KB33-19	Tool , clutch alignment	1
		<p>GEARBOX TOOLS</p>	
GX13	RFT118	Driver , for installing closed-cage countershaft needle bearings	1
		<p>FRONT SUSPENSION</p>	
GX14	RFT103	Compressor , front road springs (Our own design; simple, easy, and safe to use; essential for front suspension disassembly.)	1
		<p>BRAKES, WHEELS AND TIRES</p>	
GX15	GIT20	Vizibleed , Girling one-man hydraulic bleeding kit	1
GX16	GI64947041	Tube , rubber, brake bleeding; this is the correct Girling-brand tube for the job if you still use a glass jar and a rubber tube to bleed your hydraulic system	1
GX17	RFT113	Wrench , spoke, for tuning wire wheel spokes	1
GX18	RFT127	Gauge , tire pressure, Flaig brand; formerly Drager; the best gauge we know of	1
GX19	RFT131	WRENCH , combination, brake adjuster and oil drain plug	1
		<p>INTERIOR AND TRIM</p>	
GX20	RFT108	Tool , snap installation; for installing snap buttons and snap sockets to convertible tops and tonneau covers	1