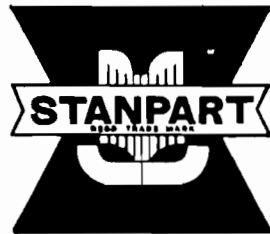


FITTING INSTRUCTIONS
FOR THE
TRIUMPH HERALD
CONVERTIBLE
TONNEAU COVER KIT



Issued by

STANDARD-TRIUMPH SALES LTD.

Spares Division,

COVENTRY CV4 9DB, ENGLAND

HERALD CONVERTIBLE

Tonneau Cover Kits Available

Sebring White. R.H.S. Part No. 562132
Sebring White. L.H.S. Part No. 562131
Black R.H.S. Part No. 562920
Black L.H.S. Part No. 562919

Contents of each kit

1 Tonneau Cover
24 Buttons
24 Sockets
6 Brackets (Single)
1 Bracket (Double)

Instructions for Fitting

1. Remove the P.K. screw securing the centre of the forward edge of the fascia panel assembly to the lower screen rail, and fit the double bracket (a).
2. Remove the remaining screws and fit the six single brackets (B) (See Fig.1).
3. With the zip fastener closed, place the tonneau cover in position and centralise it in relation to the body.
4. Mark the positions for fasteners Nos. 1 & 2 (See Fig. 2), with a pencil, and using an 1/8" wad punch pierce two corresponding holes through the fabric.
5. Insert the stems of the buttons through the fabric, and attach the sockets to the underside. Rivet them together with the tool shown in Fig. 3 (This tool should be obtainable from any reputable saddler's or hardware stores).
6. Attach the assembled press studs to the double bracket (A), and pulling the front edge of the cover towards the side of the car, mark the positions for fasteners 3 to 5.
7. Repeat with the opposite side and mark the fastener positions 6 to 8. Pierce the holes and rivet the buttons and sockets together.
8. Fit the front end of the tonneau cover to the car, and with the aid of an assistant, pull the cover over the "B" posts.

9. Mark the positions, pierce the holes for fasteners Nos. 9 & 10 and finally rivet the fasteners together.
10. Using a similar procedure, fit the remaining fasteners, Nos. 11 to 24, in the sequence shown in Fig. 2.

Note that when correctly fitted the tonneau cover should be free from any creases or wrinkles.

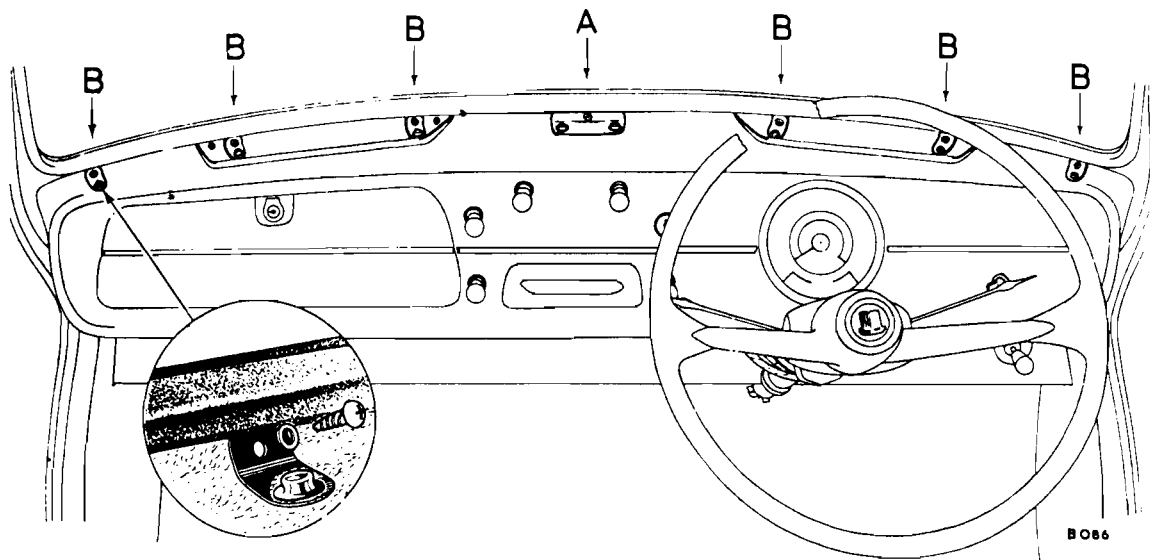


Fig. 1 Showing location of brackets on lower screen rail

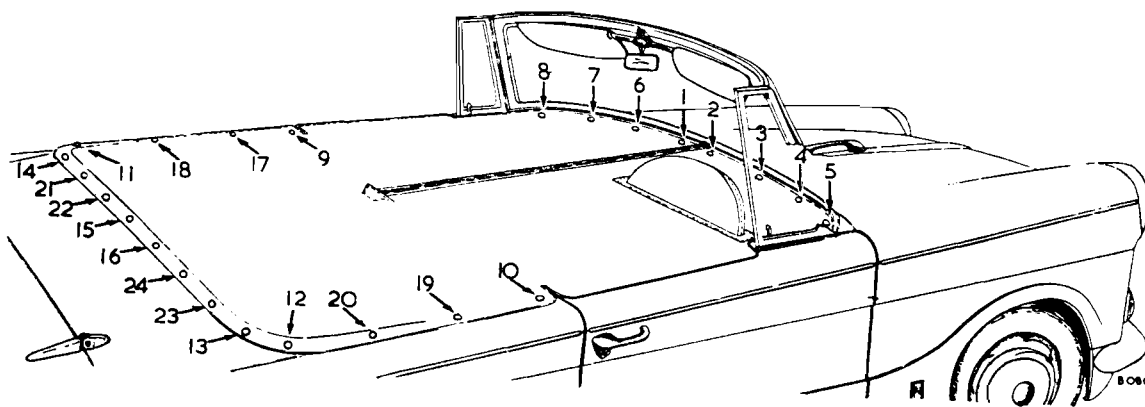


Fig. 2 Sequence of fitting fasteners onto tonneau cover

Fig. 3 Tool used for riveting fasteners onto tonneau cover. (This tool should be available from a saddler's or hardware stores).

